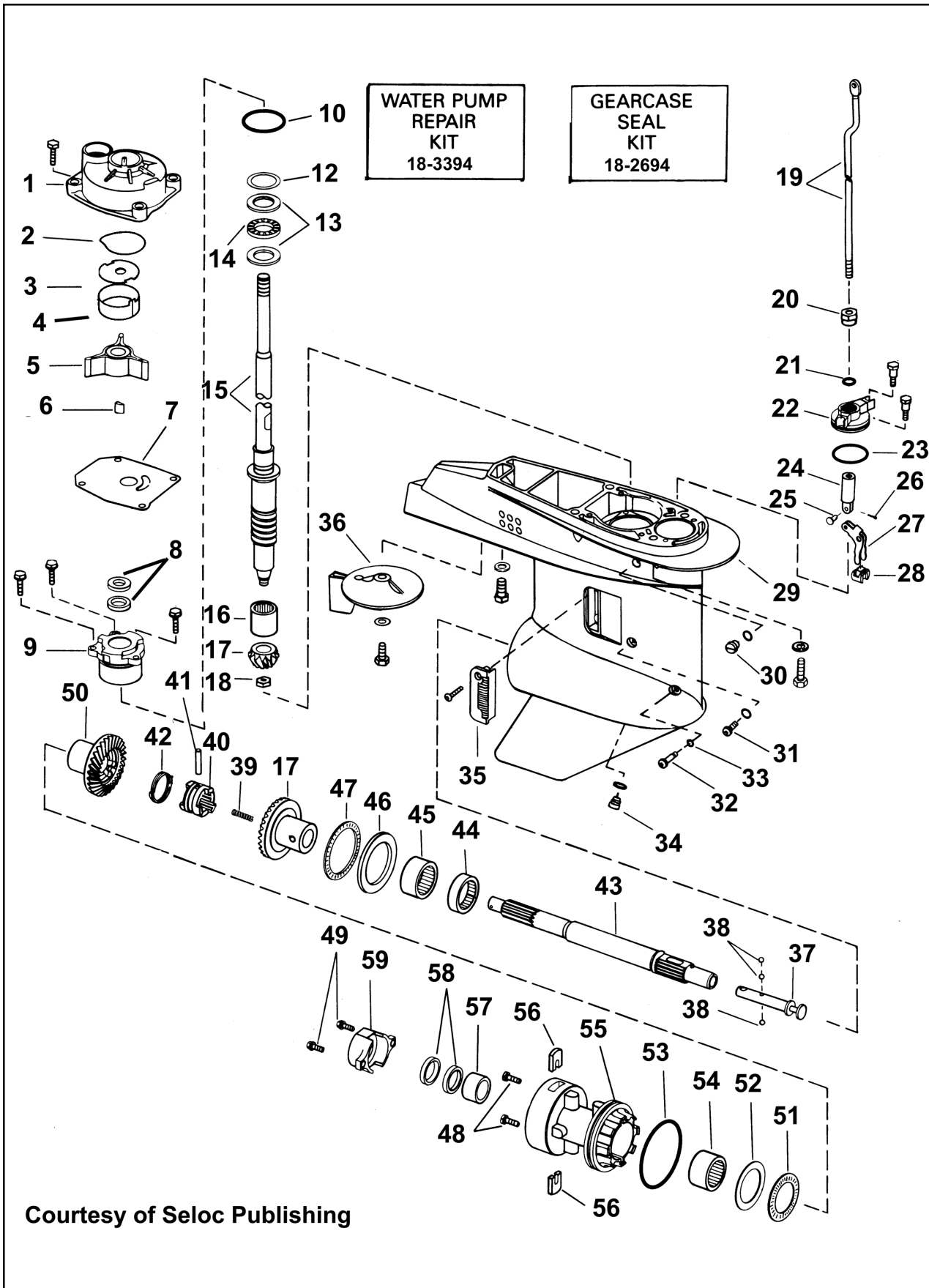


JOHNSON/EVINRUDE (OMC)

Gearcase 40-50 HP 1989-1998



OUTBOARD



Courtesy of Seloc Publishing